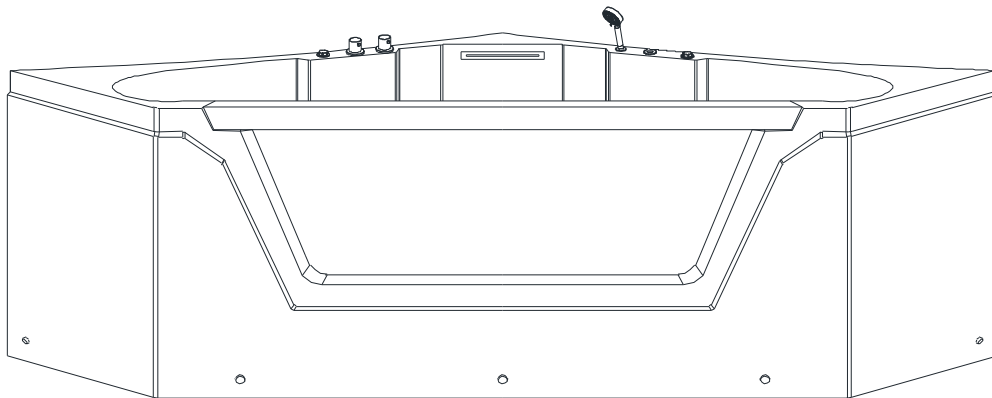


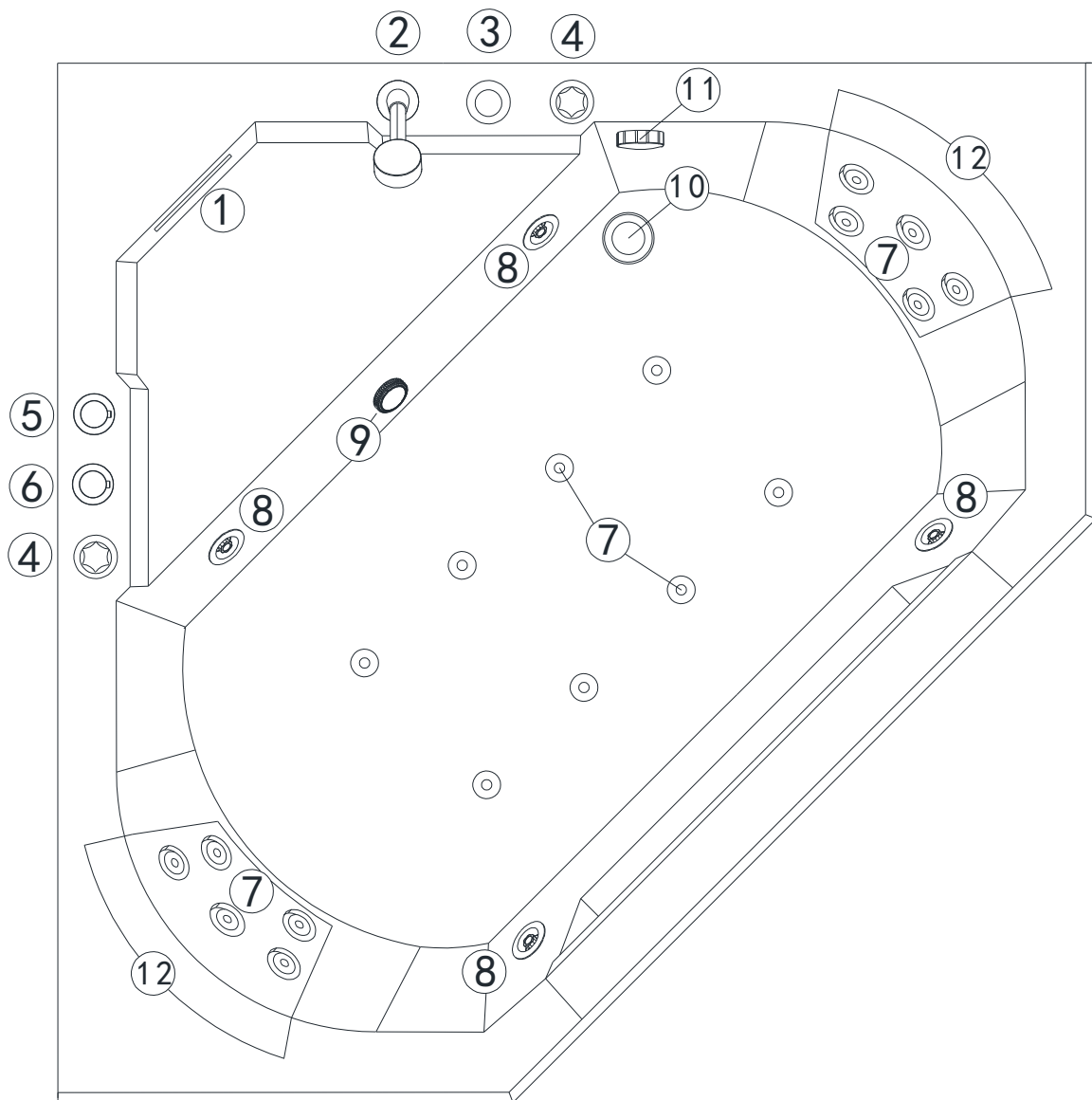
ARIEL

Whirlpool Installation Manual

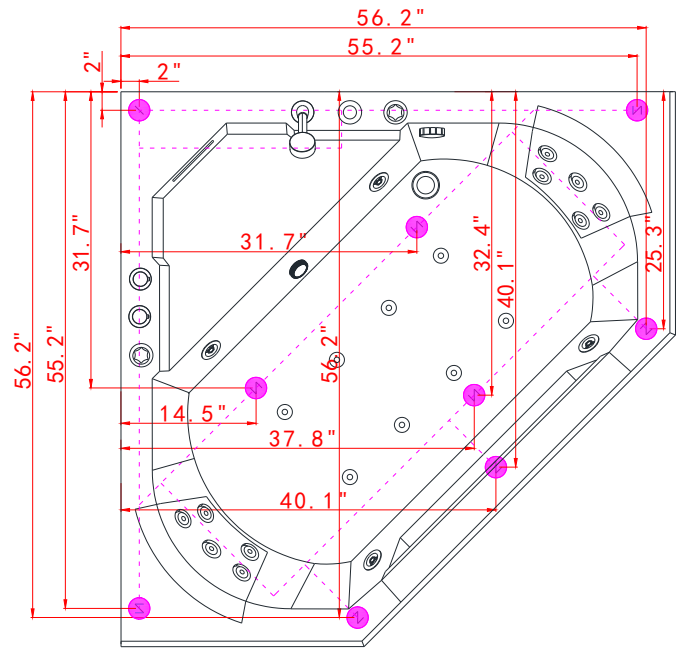
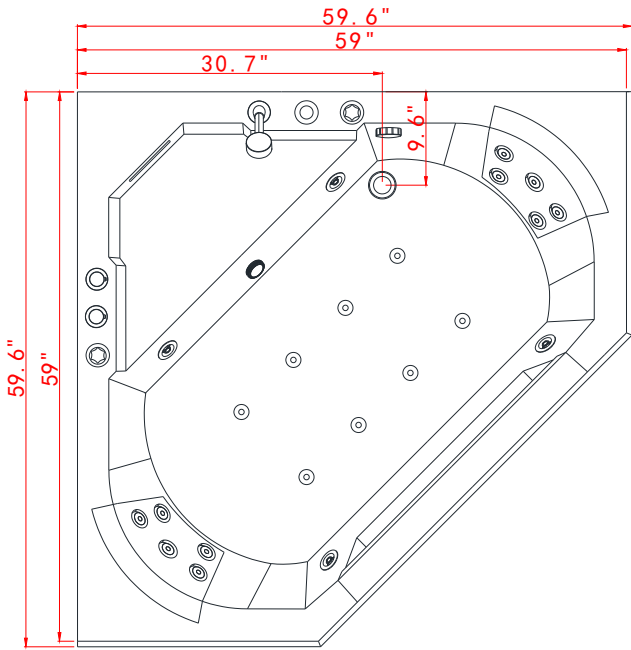
ARIEL
PW1565959CW1



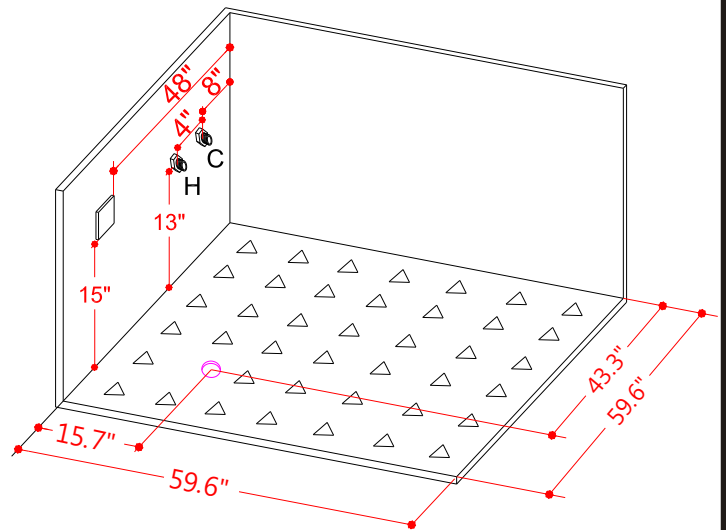
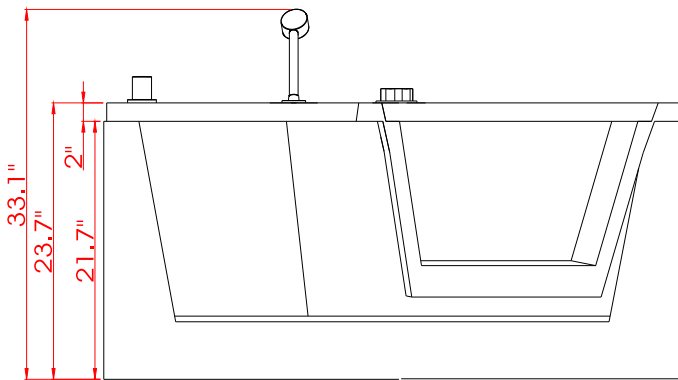
Serial Number:



No.	English	No.	English
1	Waterfall	7	Water Jet
2	Hand Shower	8	Multiple Direction Water Jet
3	Pneumatic Switch	9	Water Suction
4	Air Regulator	10	Headrest
5	Function Selector	11	Drain
6	Thermostatic Selector	12	Overflow Drain & Drain Knob



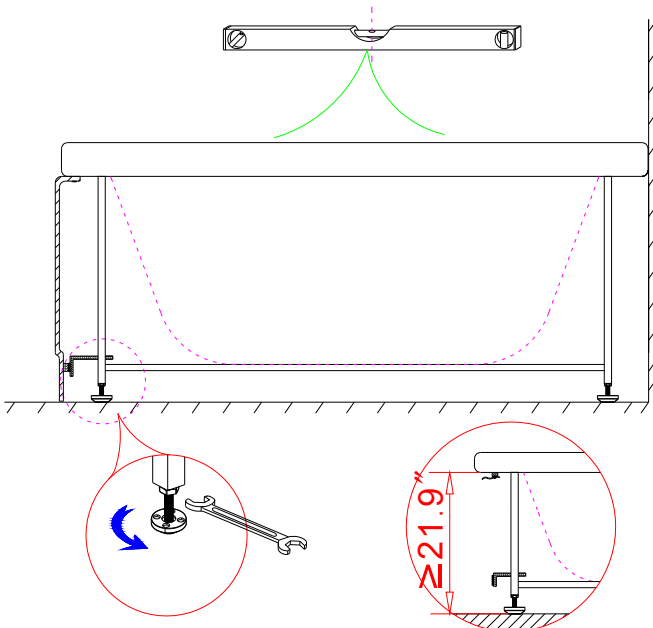
*Actual Drain-Cutout Location



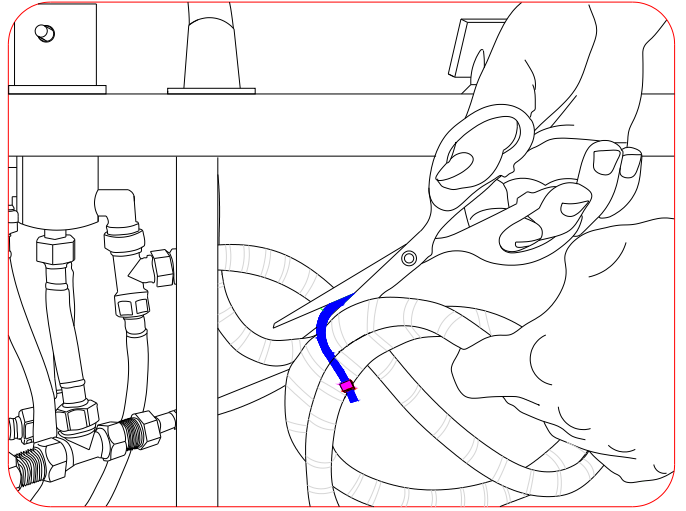
*Optional: Flex-Drain Drain Location

All measurements are given in Inches
 Designs and sizes can vary. We accept no liability for errors,
 manufacturing tolerance and product changes.

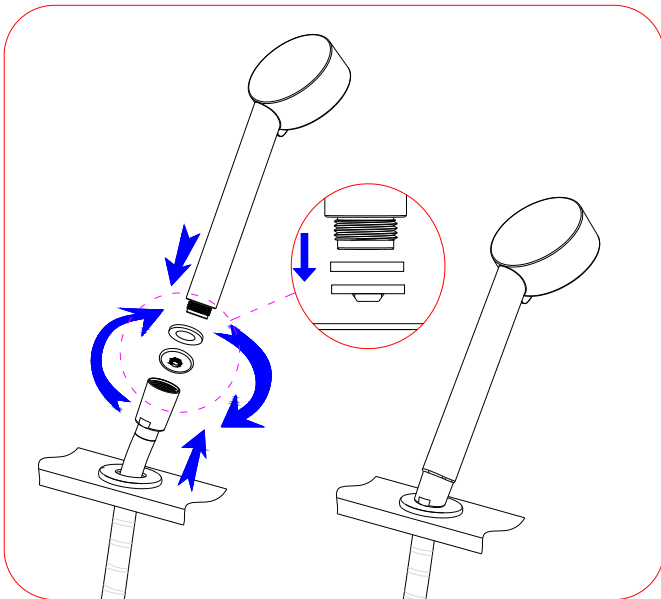
1



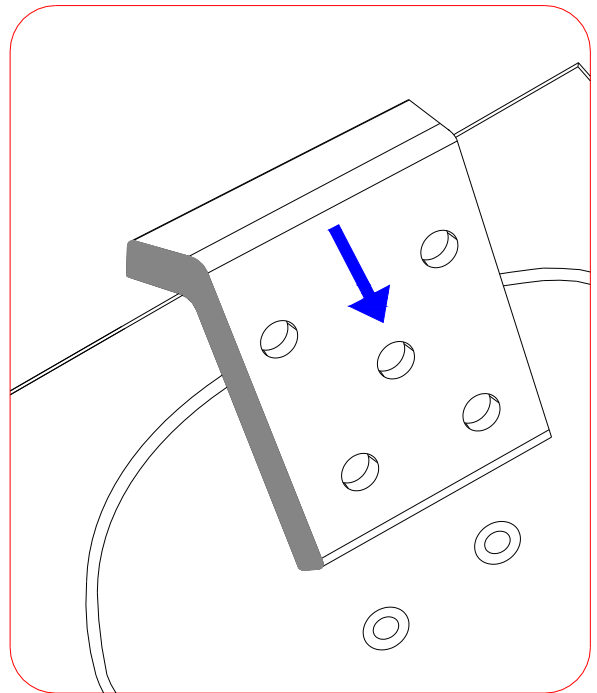
2



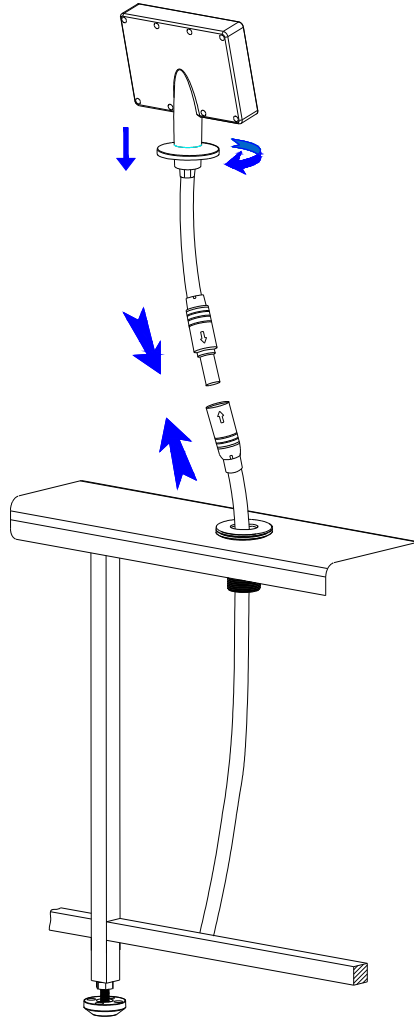
3



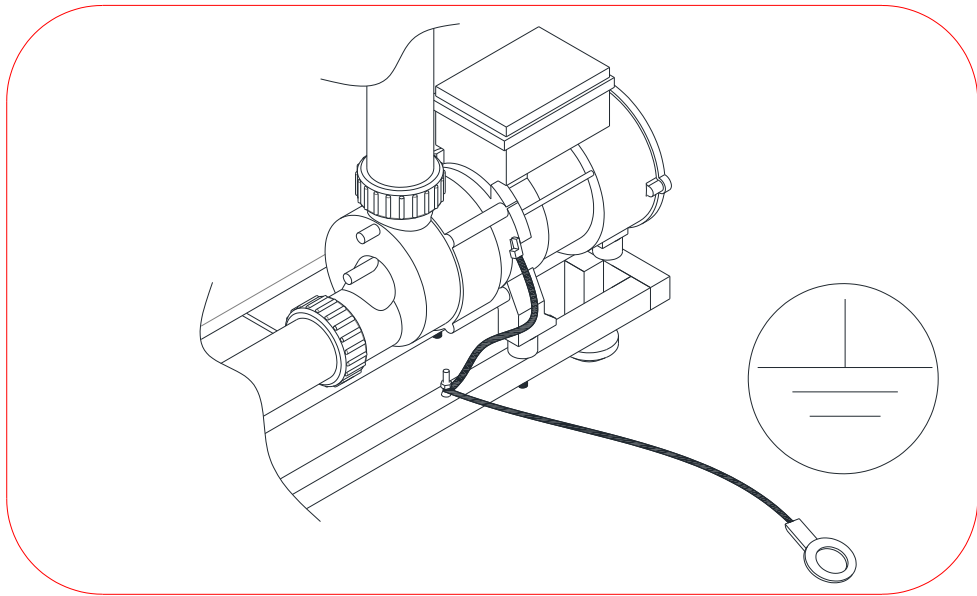
4



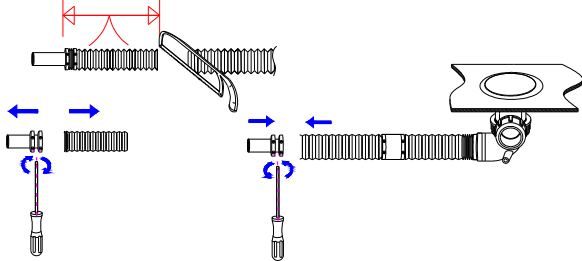
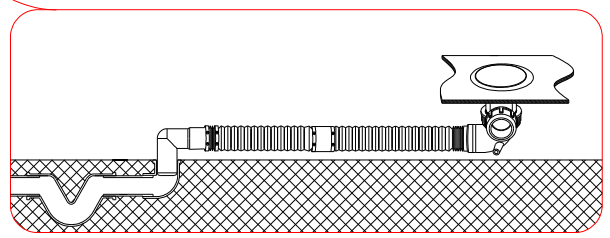
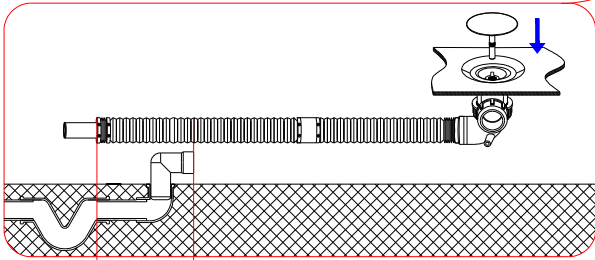
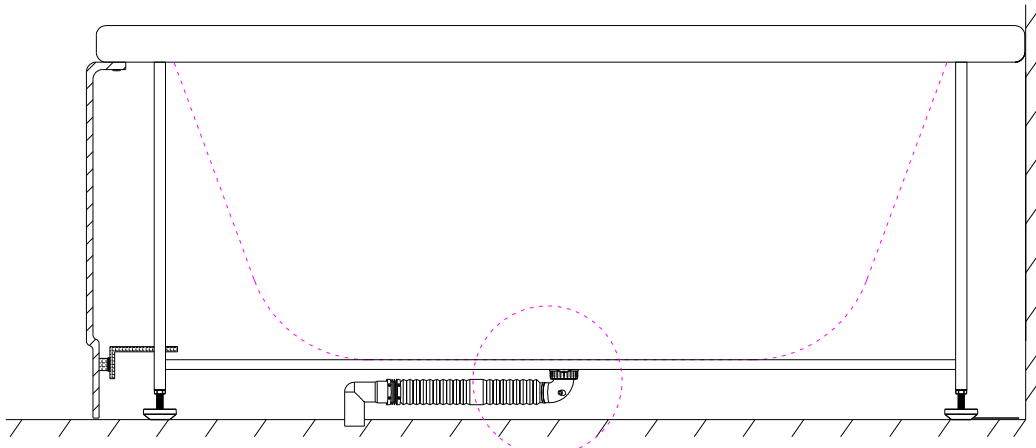
5



6

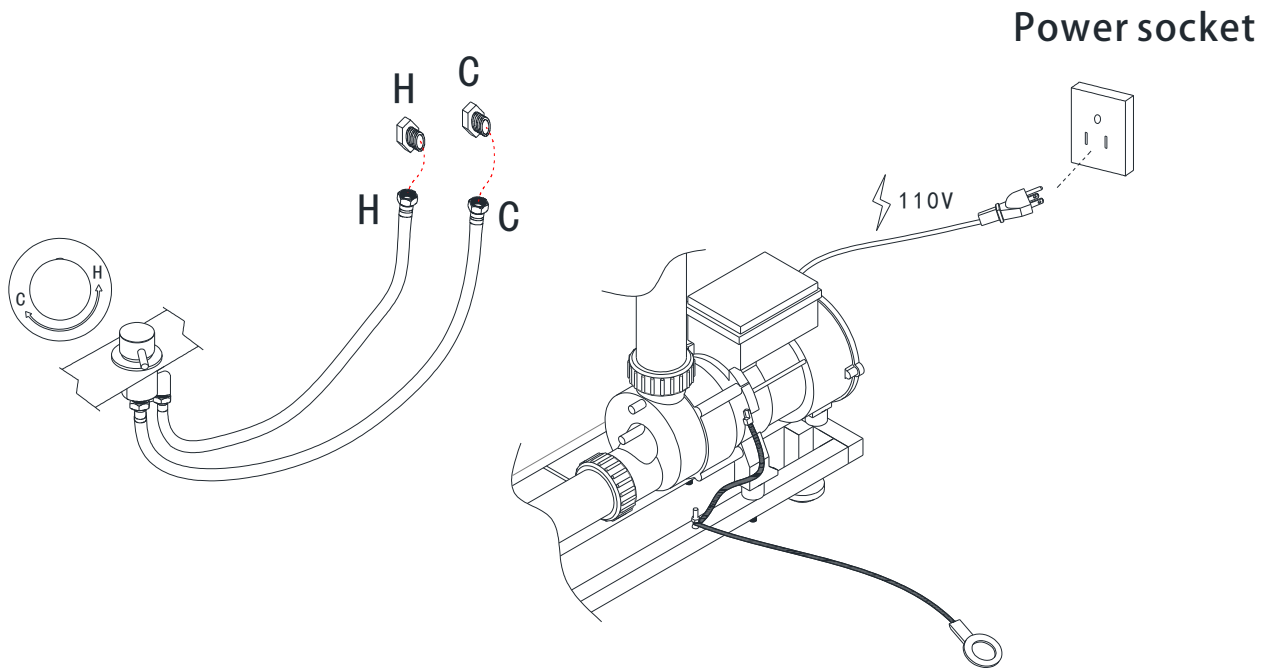


7

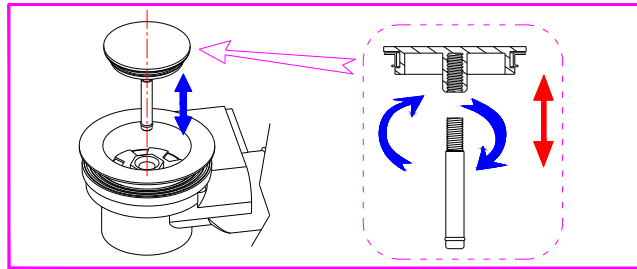
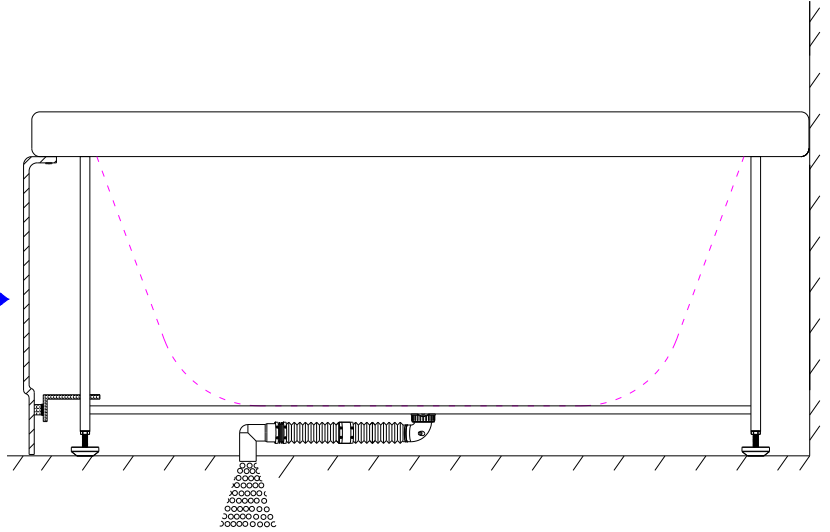
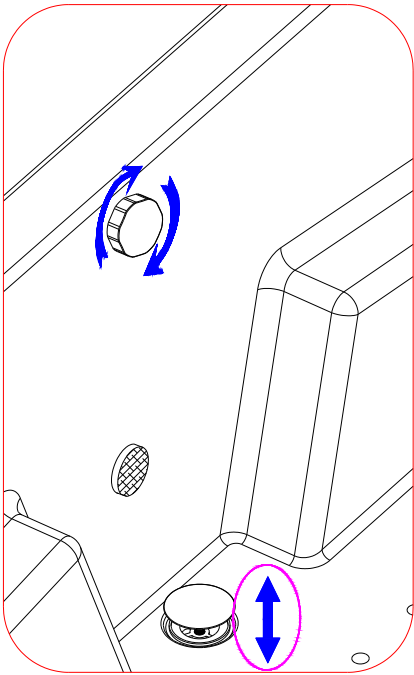


*Some optional features maybe shown: Flex-Drain Hose

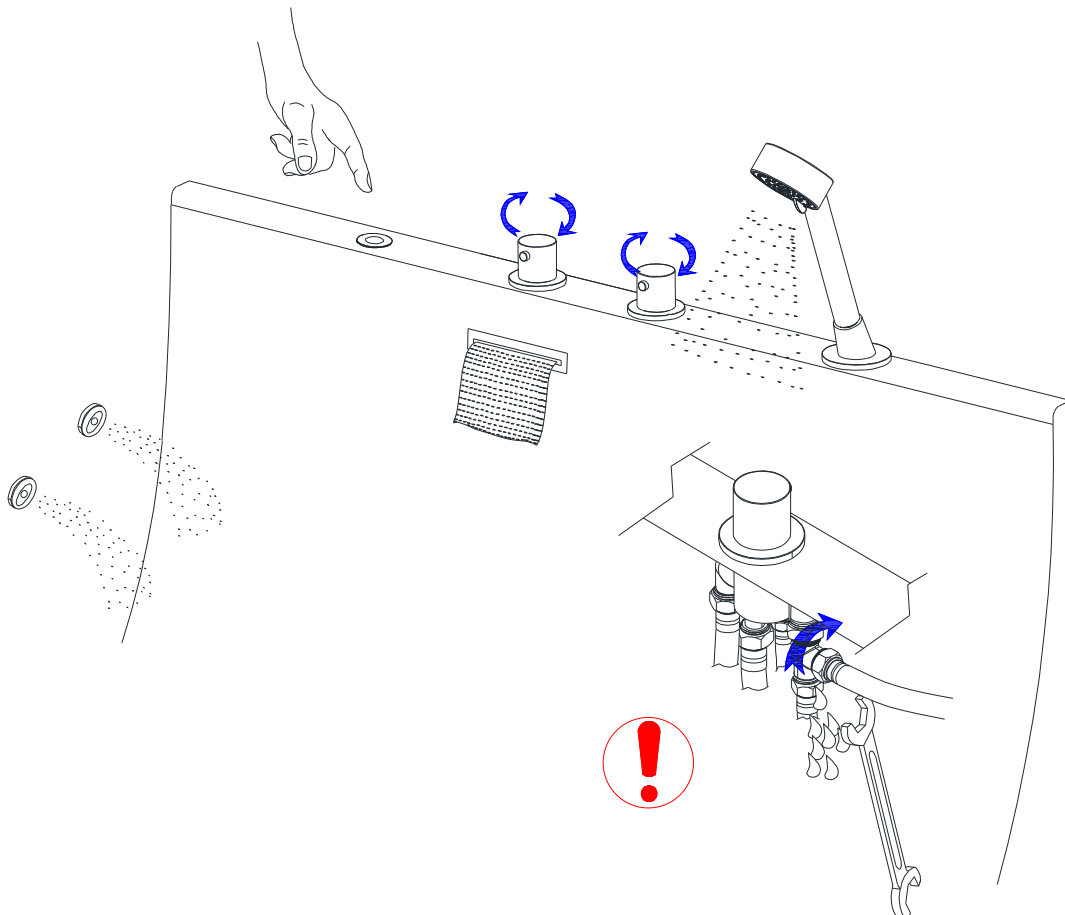
8



9



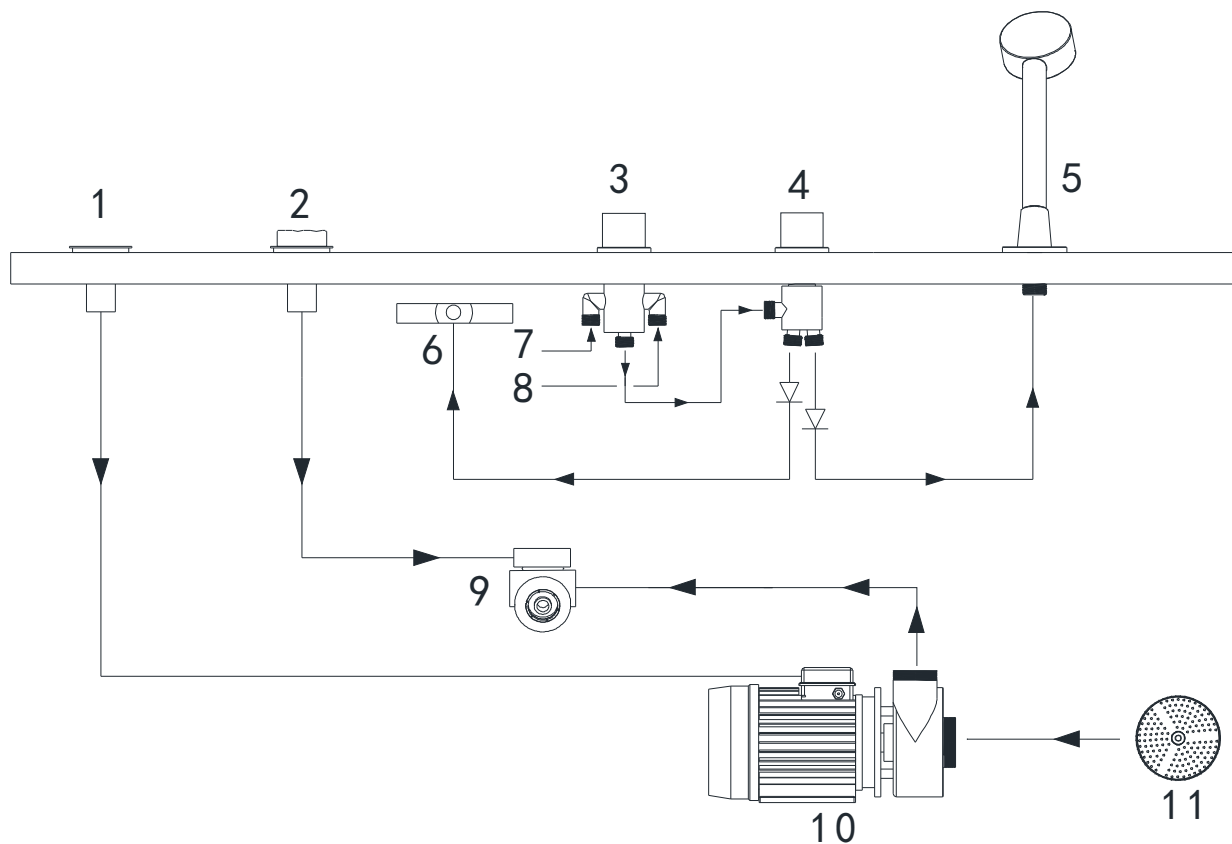
10



Technical Parameters

Rated Voltage	AC110-120V 60Hz
Rated Current	9A
Normal Rated Power	1100W
Recommended Power Service	GFCI-Protected 30A
Water Pipe Dimension	1/2"
Drainage Pipe Dimension	1 1/2" (40mm)
Max. Hot Water Temperature	176°F (80°C)
Recommended Hot Water	149°F (65°C)
Operating Pressure	Max 116 PSI (8 bar / 0.8 mPa)
Recommended Operating Pressure	14.5-72.5 PSI (1-5 bar / 0.1-0.5mPa)

Flowchart



No.	English	No.	English
1	Pneumatic Switch	7	Cold Water Supply Inlet
2	Air Regulator	8	Hot Water Supply Inlet
3	Thermostatic Selector	9	Water Jet
4	Function Selector	10	Water Pump
5	Shower Wand	11	Water Suction
6	Waterfall		